

UD
(UD Series Solenoid Valve)



● UD-10

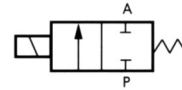


● UD-8



● UD-6

■ Graphics Sign



● Ordering Code



UD

(Pipe Size):
6 : G1/8
8 : G1/4
10 : G3/8

(Normal Type)
H: (High-Temperature Type)

(Standard Voltage):
AC110V
AC220V
AC380V
DC24V

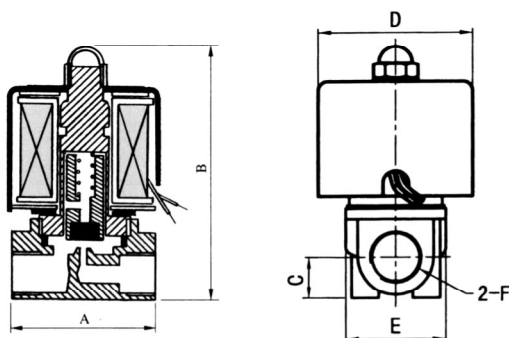
Specific Property:

This valve has direct action type piston and quick action, with multiple purposes, high efficiency, long service life, good waterproof performance, multiple wiring directions and handsome shape.

■ Technical Parameter

(Item) \ (Specification)	UD-6	UD-8	UD-10
Material of Body	Brass		
Operating Method	Direct Action Type		
Pipe Size	G1/8	G1/4	G3/8
Nominal Diameter (mm)	2.5	2.5	5
Applicable Fluid	Air, Water	Oil (5CST)	(5CST bellows), (Steam)
Pressure Range	0~1.0MPa		
Applicable Temperature	(Normal Type): -5~99°C; (High-Temperature Type): -5~185°C		
Specified Voltage	AC12V、AC24V、AC36V、AC110V、AC220V、AC380V、DC12V、DC24V、DC110V		
Operating Voltage Range	± 15%		
Min. Activating Time	0.05S		

■ Figure Dimension



(Specification)	A	B	C	D	E	F
UD-6	40	76	10	φ 42	29.5	G1/8
UD-8	40	76	10	φ 42	29.5	G1/4
UD-10	53	93	12	φ 50	31.5	G3/8